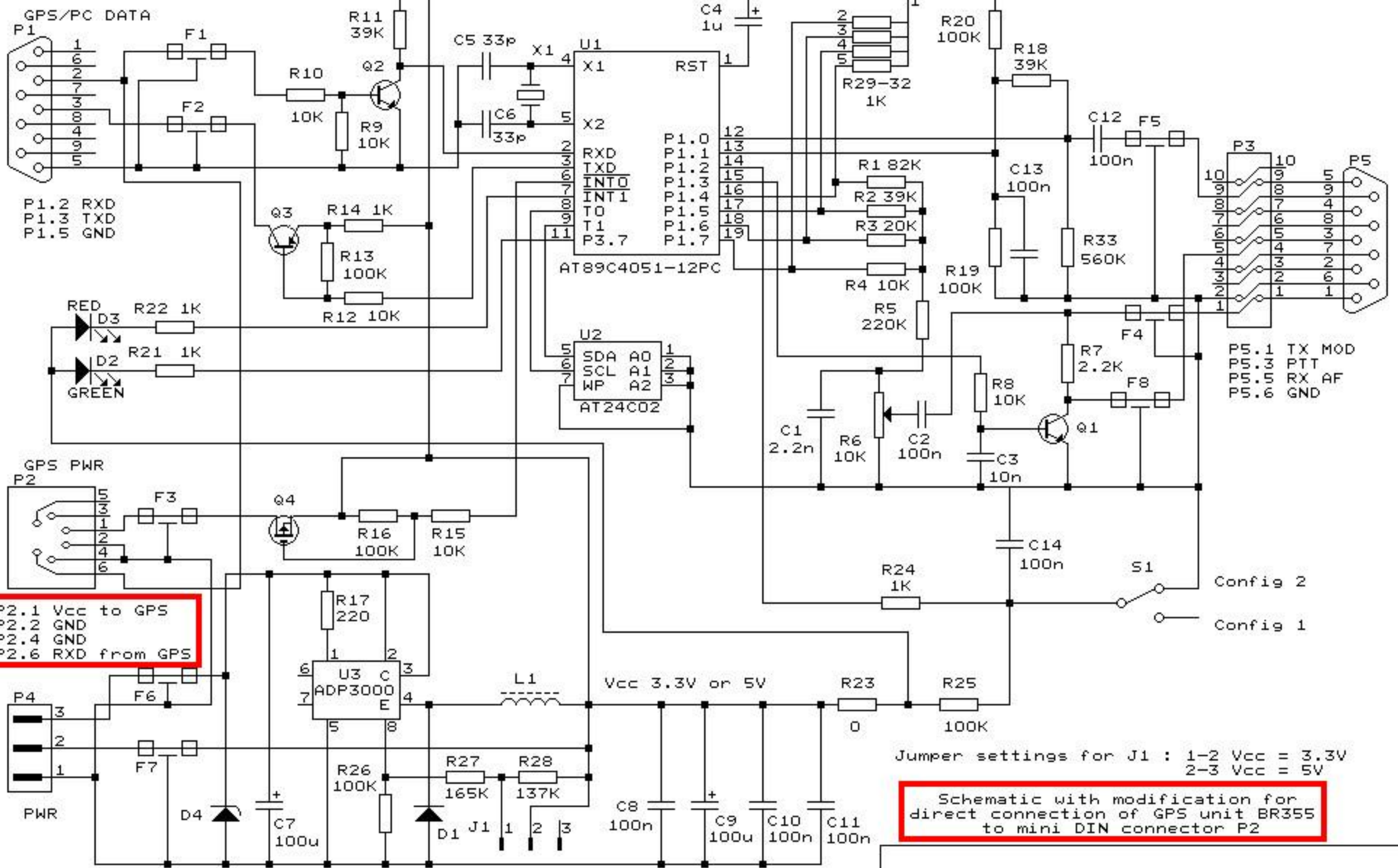


Battery operation (4x1.5V) : Vcc = 5V use P4.3 for + and P4.2 for -  
REMARK!!!! Battery - is NOT GND  
Vcc = 3.3V use P4.3 for + and P4.1 for -  
Battery - is GND

12V operation use P4.3 for + and P4.1 for - (GND)  
See tracker description for more detailed information

Title		
APRS TRACKER ver 2.0 OZ4HZ		
Size	Document Number	REV
A4	TRACKV02.SCH print H03013C	
Date:	August 15, 2007	Sheet of



Battery operation (4x1.5V) : Vcc = 5V use P4.3 for + and P4.2 for -  
REMARK!!!! Battery - is NOT GND  
Vcc = 3.3V use P4.3 for + and P4.1 for -  
Battery - is GND

12V operation use P4.3 for + and P4.1 for - (GND)  
See tracker description for more detailed information

Title		
APRS TRACKER ver 2.0 0Z4HZ		
Size	Document Number	REV
A4	TRACKV02.SCH print H03013C	
Date:	August 16, 2007	Sheet of