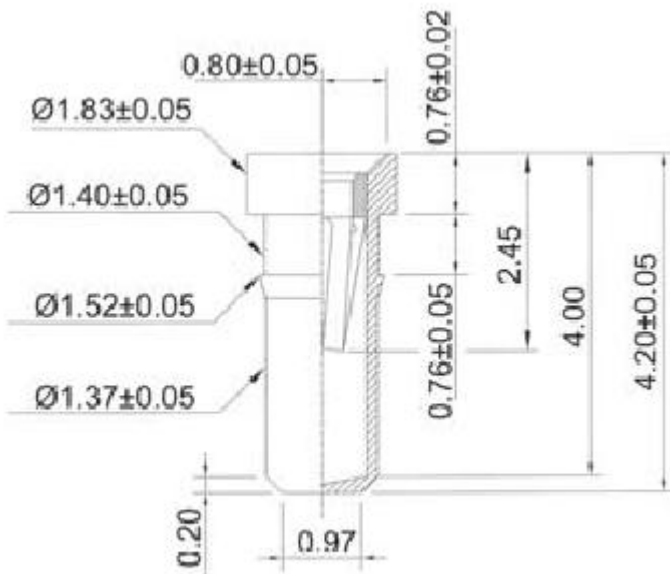

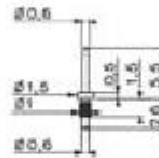


DC connector P3



Ⓑ ~ AP102-B/Z

AL - 33 - G

Material:	Messing
Toleranzen:	± 0.05 mm
Oberflächenveredelung:	Gold über Nickel
Material:	Brass
Tolerance:	± 0.05 mm
Finish:	gold over nickel

PCB interconnection uses AP102-BZ and AL33G from ASSMANN (Germany)